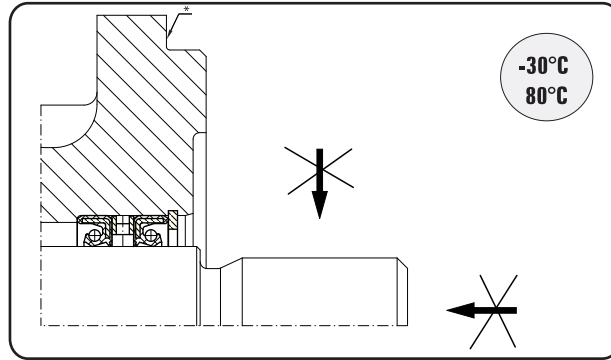


Model	2411	2413	2415	2416	2419
Displacement [ccm/rev]	87,3	103,6	119,8	132,7	155,4
Rated pressure [MPa]	21				
Max speed [rpm]	2700				

- Seal design
- Dimensions data
- Drive shaft
- Mounting flange
- Ports

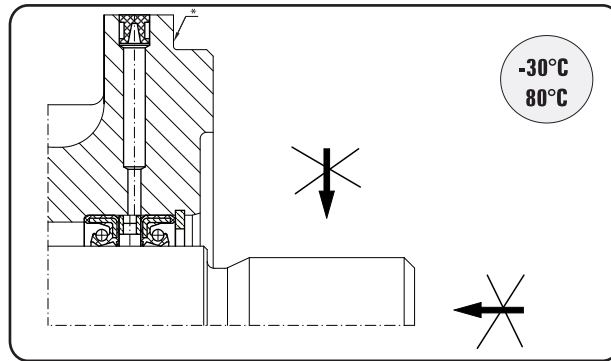
## HOW TO ORDER

P-PUMP M-MOTOR	DESIGN LEVEL 1- without 2 or 3	SEAL DESIGN	BEARINGS roller - without plain - P	SIZE	DRIVE SHAFTS	FLANGE	PORTS	Rotation A- anticlockwise C- clockwise D- birotation
P				2411	C	4	B26	C
P		A C E	roller	2411 2413 2415 2416 2419	L G C	4 5	B26	A C



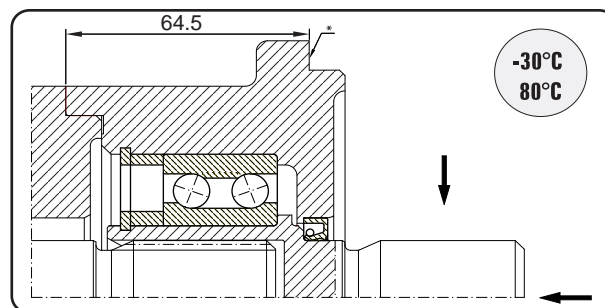
code A

Suitable for drives with load



code C

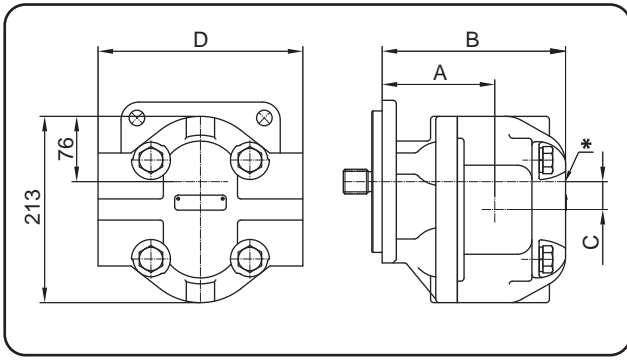
Visible-bleed drilling suitable for drives with no load for direct mounting on torque converters and gear boxes



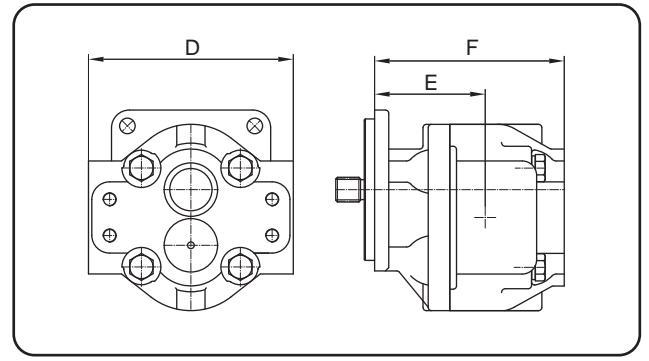
code E

Suitable for drives with heavy axial load and some radial on to drive shaft

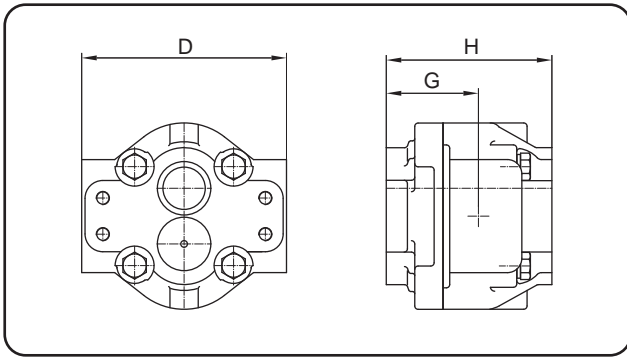
\* standard flange mounting surface



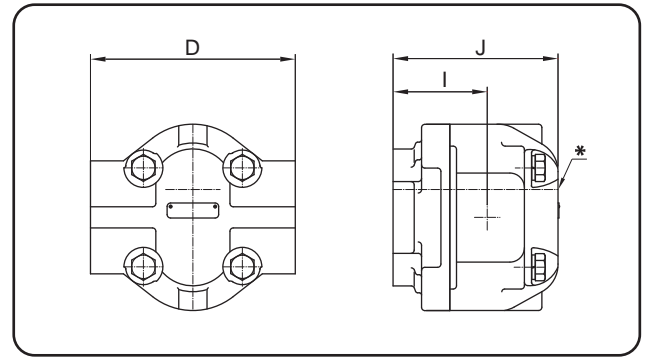
Single unit



Front unit



Intermediate unit

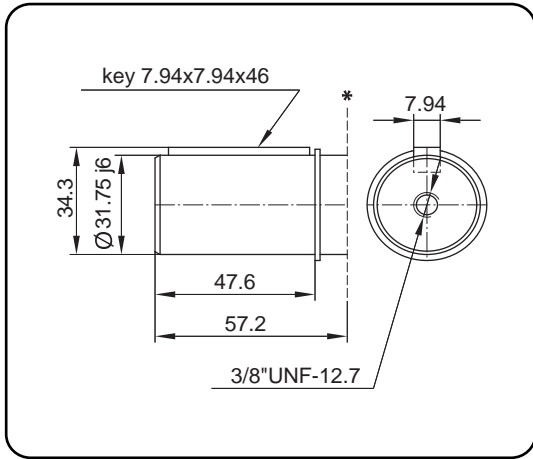


Rear unit

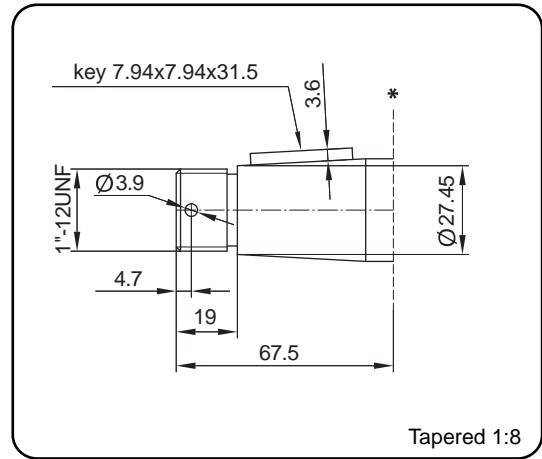
	Single unit				Front unit			Intermediate unit			Rear unit			
SIZE	A	B	C*	WEIGHT [kg]	E	F	WEIGHT [kg]	G	H	WEIGHT [kg]	I	J	WEIGHT [kg]	D
2411	111	178	30,2	29	115	192	30	99	176	29	95	162	28	193,6
2413	111	178	30,2	29	115	197	30	99	181	29	95	162	28	193,6
2415	118	188	30,2	30	115	203	30	99	187	30	102	172	29	193,6
2416	118	188	30,2	30	121	207	31	105	191	30	102	172	29	193,6
2419	121	203	30,2	30	121	207	31	105	191	30	105	187	30	193,6

\* dimension refers to all pictures

SHAFTS WITH KEY



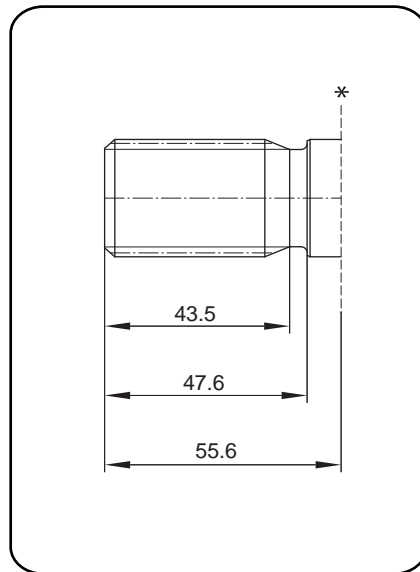
code G



Tapered 1:8

code L

INVOLUTE SPLINE SHAFTS

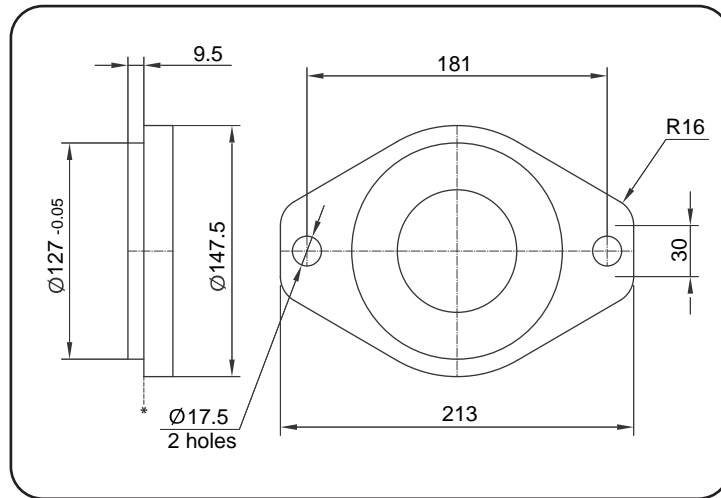


code C

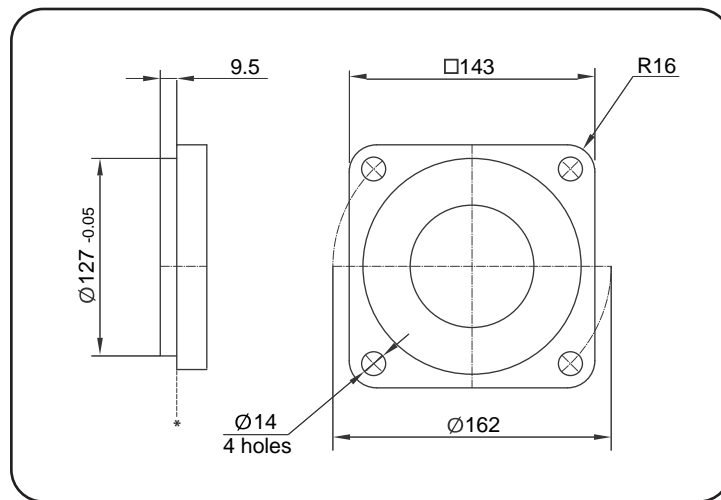
\* standard flange mounting surface

	size	side fit	diametral pitch	pressure angle	number of teeth	major diameter
code C	SAE C	flat root	12/24	30°	14	31,20/ 31,12
C	1 1/4"					

SAE C

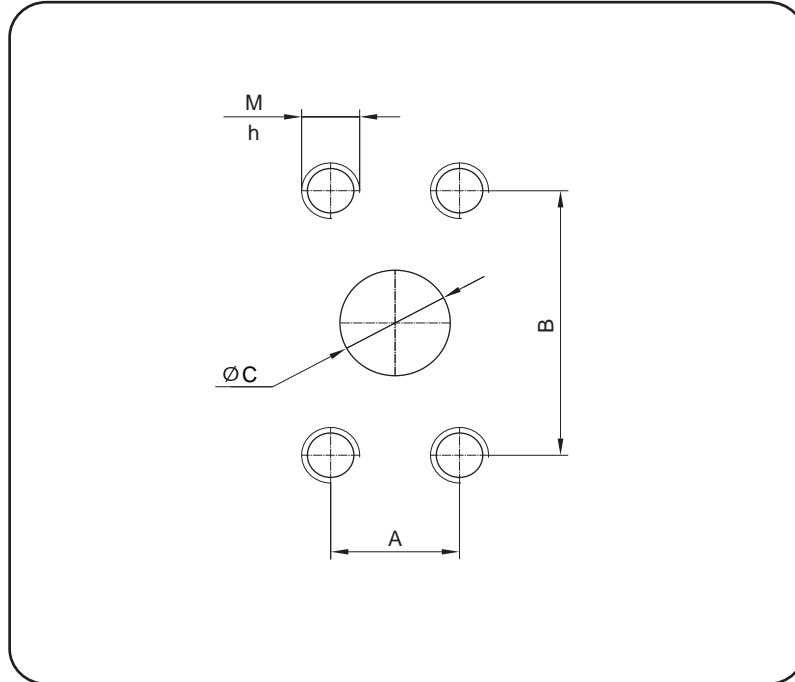


code 4



code 5

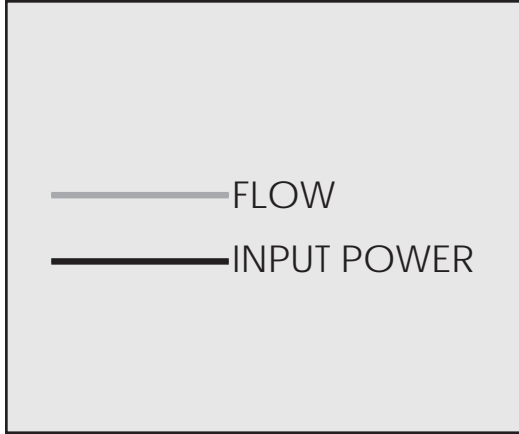
\* standard flange mounting surface



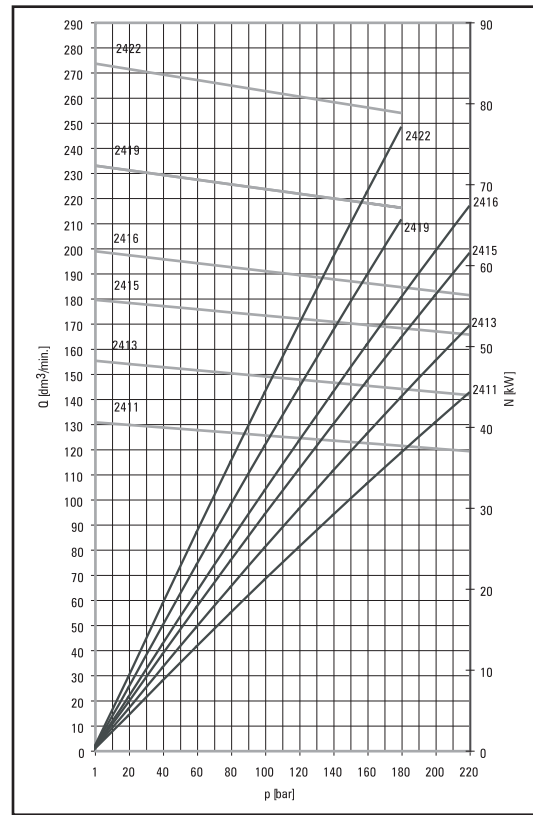
TYPE	PUMPS													
	INLET							OUTLET						
	B2		B2/B26			B26		B2		B2/B26			B26	
	M	h	A	B	C	M	h	M	h	A	B	C	M	h
2208														
2210			35,7	69,8	38									
2213	1/2-13 UNC	21				M12	25	7/16-14 UNC	19	30,2	58,7	31	M10	25
2215			42,9	77,8	50									
2216														

# GEAR PUMPS AND MOTORS HAMWORTHY SERIES

## PUMP CHARACTERISTICS



\*Characteristic at shaft speed 1500 r.p.m.



2400 SERIES

# GEAR PUMPS AND MOTORS HAMWORTHY SERIES

## DRIVE SHAFT

### POWER LIMITATIONS

